



## 7620 Model

### Maintenance Free & Self-Adjusting Seal for Large Shafts



[Click Here to Request A Quote](#)

 [See How CinchSeal Works](#)

## About the Seal

The maintenance free 7600 series - solid aluminum seals are designed for larger shaft sizes ranging from 3.937” up to 6.00”. They are ideal for screw conveyors, bucket elevators, and other bulk handling equipment. The 7620 model has a solid clear coat aluminum housing and endplate with solid hard coat anodized aluminum rotor cups and solid PTFE stator plates. The repair kits for the 7620 model are solid as well.

- Designed for C.E.M.A. screw conveyor and bulk handling equipment
- Suitable for screw conveyors and other bulk handling equipment ranging from 3.937” to 6.00”
- Temperature ranges -50F to 400F
- Bolting pattern will accommodate flange mounted bearings
- The housing is machined out of Anodized Aluminum
- Designed to handle linear shaft growth, and 1/4” total radial shaft runout
- Purge with air, 5 to 8 psi above vessel pressure, or silicone grease
- Zero maintenance due to unique self adjusting design

## Our Certifications



ATEX



United States Department of Agriculture



# How the 7620 Works

## Functionality

The key component in our 7600 series seals is the blue elastomer molded out of an FDA-approved silicon material that is very durable and can handle temperatures up to 400F. The elastomer is molded slightly smaller than the shaft size so that an interference fit with the shaft is achieved. This snug fit seals the shaft and stops material from leaking out as well as causing the internal seal parts to turn with the shaft. Unlike mechanical packing and lip seals that are stationary and damage rotating shafts, our elastomer spins with the shaft thus eliminating any chance of shaft wear and damage. As the elastomer turns with the shaft it drives two rotating faces or "rotor cups" that are compressed with optimum load against stationary faces to seal potential leak paths. We offer the 7620 model with solid internals.

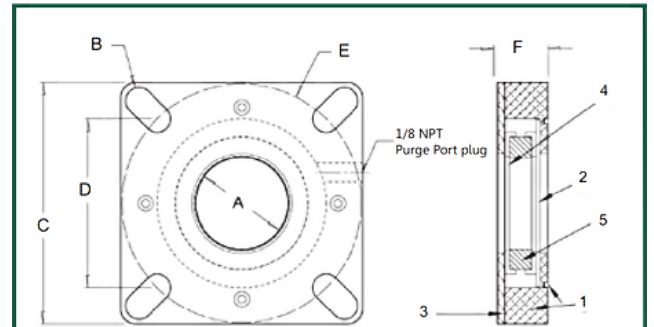
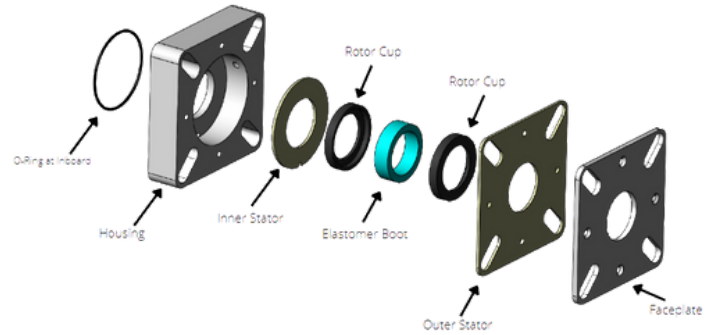
## Air-Purge

CinchSeal is an air purged seal that performs best when purged with 5 to 8 PSI of air over vessel pressure. The air purge improves seal life by accomplishing 3 things: it creates a higher pressure inside the seal which creates a natural air barrier that helps keep material out of the seal. Keeps the rotating faces cooler, and it adds to the closing force on the seal faces so product can't leak by.

## C.E.M.A.

The 7500 series meets all C.E.M.A. Dimensions and is easy to bolt up in place of waste packs, plate seals, and packing glands. Try CinchSeal today and stop all powder and dust leaks on all your rotating equipment.

# 7620 Assembly



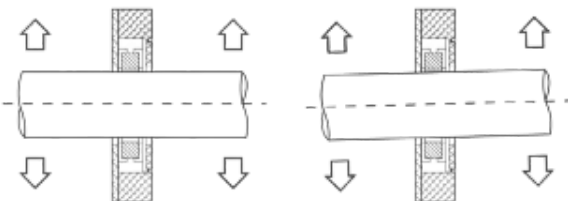
1. Housing - O'ring at Inboard
2. Inner Stator
3. Outboard Plate
4. Rotor Cup
5. Elastomer Boot - FDA Approved

## DIMENSIONAL CHART

A	B	C	D min	D max	E min	E max	F
3.937	.810	10.00	6.125	8.852	8.662	12.518	1.75
4.437	.810	10.00	6.125	8.851	8.662	12.517	1.75

Confidential, U.S. Pat. No. 7,178,806. These drawings and specifications are the property of CinchSeal, LLC. Not to be released, or used for any manufacturing or sales without written permission. Other sizes and metric available.

## Self Adjusting Alignment



The CinchSeal module readily accommodates a reasonable amount of shaft vibration, misalignment or wobble. The rotor cup "floats" against the face of the stator plate so any lateral shaft movement produces nothing more than a slight orbital eccentricity.

## Accessories Available

Seal Repair Kits (Replaceable Internal Components)

Air Pressure Regulators

Automatic Greaser



## 7620 Seal Installation

If you have any questions before you begin your installation please call 1-856-662-5162 Shaft should be totally clean of any wear, dirt, oils or grease before installing the seal. Carefully remove seal from shaft.

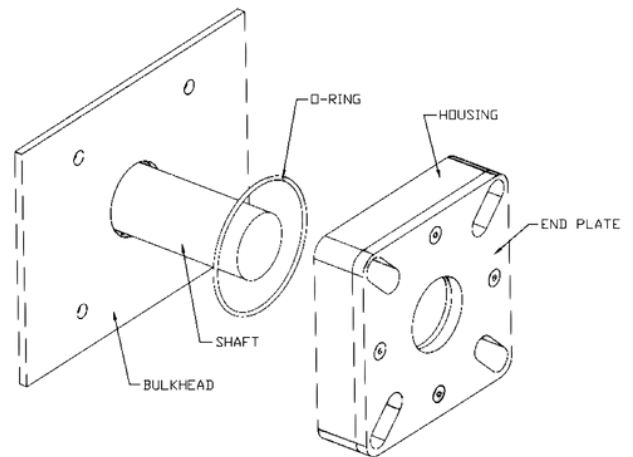
\*Use mild soapy water for lubrication or P-80 Rubber Lubricant Emulsion.

[Contact Us](#)

[Watch Our Seal Installation Video](#)

### Installing the 7620 Seal

1. Housing must be perpendicular - normal to the shaft
2. Alignment of housing to shaft cannot exceed 2°
3. Check and make sure the O-ring at the inboard is seated
4. Check for equal spacing around the shaft and the ID of the seal Tighten mounting hardware.
5. Manufacturers recommended torque settings 18ft. lb.
6. Purge seal before operating -Purge options: See Installation Guide. Each seal should have its own dedicated airline. Sharing a single airline between multiple seals is not permitted. Use separate air regulators for each seal.



Maximum operating temperature of the seal to be less than 400°F  
Seal housing should be secured to the vessel wall using bolts/nuts and appropriate torques.

## 7620 Repair Kit Installation

[Watch Our Internal Component Replacement Video](#)

### Replacing Internal components for 7620 Seal

1. Remove cover plate and take out all internal parts
2. Clean housing and shaft
3. Align notch in new round PTFE stator to pin in housing
4. Place boot between 2 metal rotor cups and place in housing
5. Install square PTFE stator plate
6. Assemble endplate to housing using screws
7. Insert new o-ring in housing groove
8. Install rebuilt seal on to shaft

